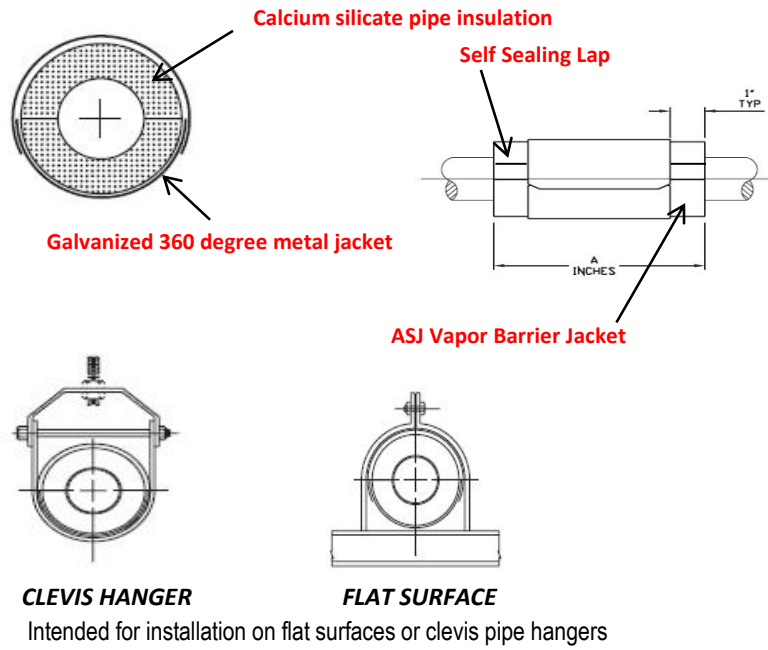


# Product Data Sheet

## T-2000 CALSIL w/ ASJ Vapor Barrier Jacket



Design Data	
<b>Temperature Range:</b> +40 F to +1200 F	
<b>Insulation:</b> Calcium Silicate (asbestos free)	
<b>Jackets:</b> Galvanized Steel ASTM A-527	
<b>Glue:</b> 3M Fastbond 49 (water based adhesive)	
<b>Load Rating:</b>	
For process systems operating at 500 F or greater, multiply the load rating in the chart by the following factors:	
500 F = .90 750 F = .75, 1000 F = .50, 1200 F = .30	
To develop maximum load rating, width of support surface should be at least 1/2 of dimension "A".	
For higher load ratings, see T-4000, T-6000	
<i>R Value per 1" thickness = 2.5</i>	
<i>K Factor @ 75 F = .38</i>	



**\*25/50 Rated Flame/Smoke Plenum Rated**

**BUY AMERICAN ACT CERTIFIED**

Pipe Size	Maximum Load Ratings (lbs)		A = Insulation Length				B = Gauge of Steel Jacket								Copper Tubing Size OD
	On Flat Surface	In Clevis Hangar	1/2		1		1 1/2		2		2 1/2		3		
			A	B	A	B	A	B	A	B	A	B	A	B	
5/8	40	50	6	24	6	24	6	24	6	24	6	24	6	24	5/8
1/2	40	50	6	24	6	24	6	24	6	24	6	24	6	24	7/8
3/4	50	60	6	24	6	24	6	24	6	24	6	24	6	24	1 1/8
1	60	70	6	24	6	24	6	24	6	24	6	24	6	24	1 3/8
1 1/4	80	90	6	24	6	24	6	24	6	24	6	24	6	24	1 5/8
1 1/2	110	120	6	24	6	24	6	24	6	24	6	24	6	24	2 1/8
2	140	160	6	24	6	24	6	24	6	24	6	24	6	24	2 5/8
2 1/2	170	220	6	20	6	20	6	20	6	20	6	20	9	20	3 1/8
3	200	270	6	20	6	20	6	20	6	20	6	20	9	20	3 5/8
3 1/2	250	330	6	20	6	20	6	20	6	20	6	20	9	20	4 1/8
4	300	380	6	20	6	20	6	20	6	20	6	20	9	20	5 1/8
5	380	490	-	-	6	20	6	20	6	20	6	20	9	20	6 1/8
6	440	600	-	-	6	20	6	20	6	20	6	20	9	16	
8	490	810	-	-	6	16	9	16	9	16	9	16	9	16	
10	540	1080	-	-	9	16	9	16	9	16	9	16	9	16	
12	600	1300	-	-	12	16	12	16	12	16	12	16	12	16	
14	620	1510	-	-	12	16	12	16	12	16	12	16	12	16	
16	650	1730	-	-	12	16	12	16	12	16	12	16	12	16	
18	680	1940	-	-	12	16	12	16	12	16	12	16	12	16	
20	730	2160	-	-	18	16	18	16	18	16	18	16	18	16	

The load ratings represent average values obtained in accordance with accepted methods and are subject to normal manufacturing variations  
- Dimensions and ratings are subject to change without notice -

**For Use On:** Steam - Chilled Water - Domestic Cold - Domestic Hot - Hot Water Heating

### Design Features

Compact - Easy Installation - Minimizes Heat-loss and/or Condensation

**Contact Information:** 425-330-3765 Fax 360-925-3400 [www.thermalpipeshields.com](http://www.thermalpipeshields.com)