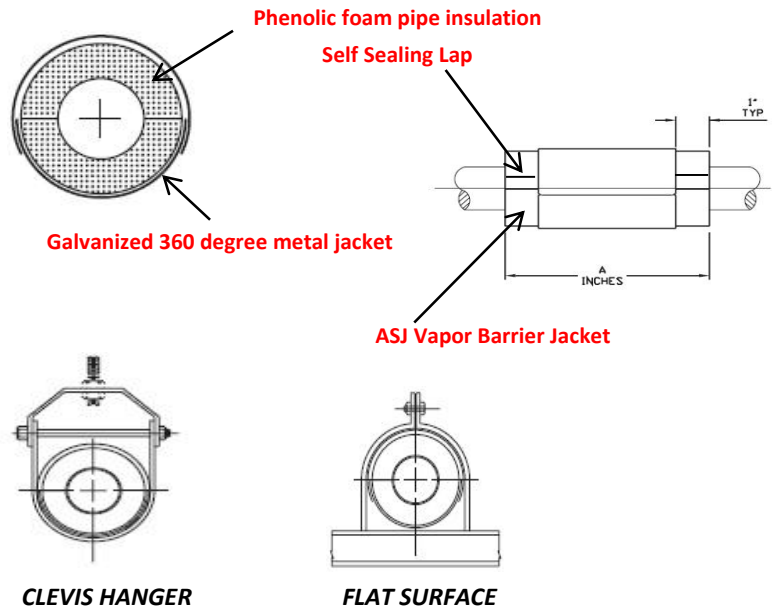


Product Data Sheet

T-2000 Phenolic Foam w/ ASJ Vapor Barrier Jacket



Design Data	
Temperature Range: -250 F to +250 F	
Insulation: Trymer Green Phenolic 2.5 LB/FT3 or equivalent	
Jackets: Galvanized Steel ASTM A-527	
Glue: 3M Fastbond 49 (water based adhesive)	
<i>For higher load ratings, see T-4000</i>	
R Value per 1" thickness = 6	
K Factor @ 75 F = .15	



Intended for installation on flat surfaces or clevis pipe hangers

***25/50 Rated Flame/Smoke Plenum Rated**

BUY AMERICAN ACT CERTIFIED

Pipe Size	Maximum Load Ratings (lbs)		A = Insulation Length				B = Gauge of Steel Jacket				Copper Tubing Size OD				
	On Flat Surface	In Clevis Hangar	1/2		1		1 1/2		2			2 1/2		3	
			A	B	A	B	A	B	A	B		A	B	A	B
5/8	40	40	6	24	6	24	6	24	6	24	6	24	6	24	5/8
1/2	40	40	6	24	6	24	6	24	6	24	6	24	6	24	7/8
3/4	40	45	6	24	6	24	6	24	6	24	6	24	6	24	1 1/8
1	55	65	6	24	6	24	6	24	6	24	6	24	6	24	1 3/8
1 1/4	70	80	6	24	6	24	6	24	6	24	6	24	6	24	1 5/8
1 1/2	90	100	6	24	6	24	6	24	6	24	6	24	6	24	2 1/8
2	110	125	6	24	6	24	6	24	6	24	6	24	6	24	2 5/8
2 1/2	125	180	6	20	6	20	6	20	6	20	6	20	9	20	3 1/8
3	150	225	6	20	6	20	6	20	6	20	6	20	9	20	3 5/8
3 1/2	200	300	6	20	6	20	6	20	6	20	6	20	9	20	4 1/8
4	250	300	6	20	6	20	6	20	6	20	6	20	9	20	5 1/8
5	See T-4000	380	-	-	6	20	6	20	6	20	6	20	9	20	6 1/8
6		500	-	-	6	20	6	20	6	20	6	20	9	16	
8		600	-	-	6	16	9	16	9	16	9	16	9	16	
10		750	-	-	9	16	9	16	9	16	9	16	9	16	
12		900	-	-	12	16	12	16	12	16	12	16	12	16	
14		1000	-	-	12	16	12	16	12	16	12	16	12	16	
16		1100	-	-	12	16	12	16	12	16	12	16	12	16	
18		1200	-	-	12	16	12	16	12	16	12	16	12	16	
20		1300	-	-	18	16	18	16	18	16	18	16	18	16	

The load ratings represent average values obtained in accordance with accepted methods and are subject to normal manufacturing variations

- Dimensions and ratings are subject to change without notice -

For Use On: Chilled Water - Domestic Cold - Domestic Hot - Hot Water Heating

Design Features

Compact - Easy Installation - Minimizes Heat-loss and/or Condensation

Contact Information: 425-330-3765 Fax 360-925-3400 www.thermalpipeshields.com