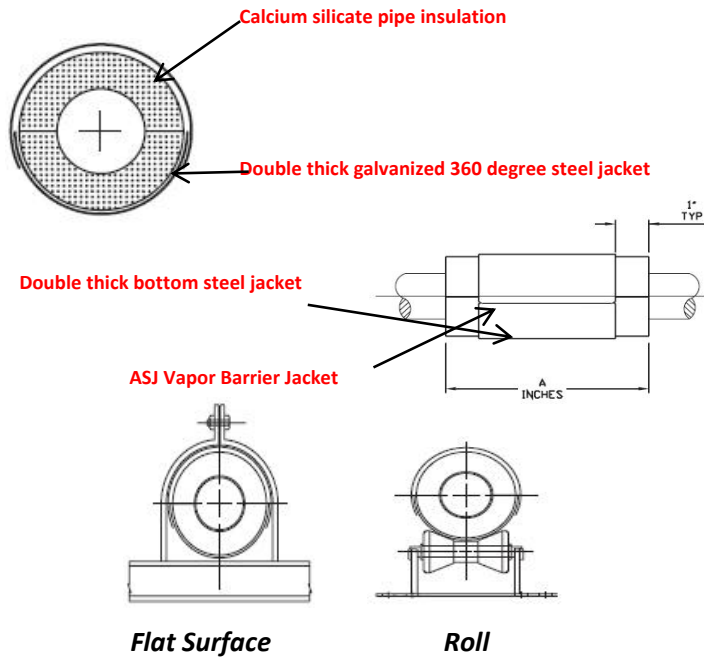


# Product Data Sheet

## T-4000 CALSIL HEAVY DUTY DOUBLE THICK BOTTOM STEEL w/ ASJ VAPOR BARRIER



| Design Data  |  |
|--|--|
| <b>Temperature Range:</b> +40 F to +1200 F   |  |
| <b>Insulation:</b> Calcium Silicate (asbestos free)  |  |
| <b>Jackets:</b> Galvanized Steel ASTM A-527  |  |
| <b>Glue:</b> 3M Fastbond 49 (water based adhesive)   |  |
| <b>Load Rating:</b>  |  |
| For process systems operating at 500 F or greater, multiply the load rating in the chart by the following factors: |  |
| 500 F = .90 750 F = .75, 1000 F = .50, 1200 F = .30  |  |
| To develop maximum load rating, width of support surface should be as least 1/2 of dimension "A".                  |  |
| For higher load ratings, see T-6000  |  |
| <i>R Value per 1" thickness = 2.5</i>  |  |
| <i>K Factor @ 75 F = .38</i>   |  |



Inteneded for installation on flat surfaces or clevis pipe hangers

**\*25/50 Rated Flame/Smoke Plenum Rated**

**Buy American Act Certified**

| Pipe Size | Maximum Load Ratings (lbs) |              |                  | A = Insulation Length      B = Gauge of Steel Jacket |    |    |    |       |    |    |    |       |    |    |    | Copper Tubing Size OD |    |       |
|-----------|----------------------------|--------------|------------------|--|----|----|----|-------|----|----|----|-------|----|----|----|-----------------------|----|-------|
|           | On Flat Surface            | On Pipe Roll | In Clevis Hangar | 1/2  |    | 1  |    | 1 1/2 |    | 2  |    | 2 1/2 |    | 3  |    |                       |    |       |
|           |                            |              |                  | A  | B  | A  | B  | A     | B  | A  | B  | A     | B  | A  | B  |                       |    |       |
| 5/8       | 60                         | 40           | 70               | 4  | 20 | 4  | 20 | 4     | 20 | 4  | 20 | 4     | 20 | 4  | 20 | 6                     | 20 | 5/8   |
| 1/2       | 60                         | 40           | 70               | 4  | 20 | 4  | 20 | 4     | 20 | 4  | 20 | 4     | 20 | 4  | 20 | 6                     | 20 | 7/8   |
| 3/4       | 70                         | 50           | 80               | 4  | 20 | 4  | 20 | 4     | 20 | 4  | 20 | 4     | 20 | 4  | 20 | 6                     | 20 | 1 1/8 |
| 1         | 80                         | 65           | 100              | 4  | 20 | 4  | 20 | 4     | 20 | 4  | 20 | 4     | 20 | 4  | 20 | 6                     | 20 | 1 3/8 |
| 1 1/4     | 100                        | 80           | 130              | 4  | 20 | 4  | 20 | 4     | 20 | 4  | 20 | 4     | 20 | 4  | 20 | 6                     | 20 | 1 5/8 |
| 1 1/2     | 130                        | 110          | 150              | 4  | 20 | 4  | 20 | 4     | 20 | 4  | 20 | 4     | 20 | 4  | 20 | 6                     | 20 | 2 1/8 |
| 2         | 180                        | 140          | 200              | 6  | 20 | 6  | 20 | 6     | 20 | 6  | 20 | 6     | 20 | 6  | 20 | 6                     | 20 | 2 5/8 |
| 2 1/2     | 200                        | 170          | 240              | 6  | 18 | 6  | 18 | 6     | 18 | 6  | 18 | 6     | 18 | 6  | 18 | 9                     | 18 | 3 1/8 |
| 3         | 250                        | 200          | 300              | 6  | 18 | 6  | 18 | 6     | 18 | 6  | 18 | 6     | 18 | 6  | 18 | 9                     | 18 | 3 5/8 |
| 3 1/2     | 300                        | 250          | 350              | 6  | 18 | 6  | 18 | 6     | 18 | 6  | 18 | 6     | 18 | 6  | 18 | 9                     | 18 | 4 1/8 |
| 4         | 400                        | 300          | 410              | 6  | 18 | 6  | 18 | 6     | 18 | 6  | 18 | 6     | 18 | 6  | 18 | 9                     | 18 | 5 1/8 |
| 5         | 500                        |              | 520              | -  | -  | 6  | 16 | 6     | 16 | 6  | 16 | 6     | 16 | 6  | 16 | 9                     | 16 | 6 1/8 |
| 6         | 550                        |              | 620              | -  | -  | 6  | 16 | 6     | 16 | 6  | 16 | 6     | 16 | 6  | 16 | 9                     | 16 |       |
| 8         | 600                        |              | 870              | -  | -  | 9  | 16 | 9     | 16 | 9  | 14 | 9     | 14 | 9  | 14 | 9                     | 14 |       |
| 10        | 600                        | See          | 1190             | -  | -  | 9  | 14 | 9     | 14 | 9  | 14 | 9     | 14 | 9  | 14 | 9                     | 14 |       |
| 12        | 700                        | T-6000       | 1400             | -  | -  | 12 | 14 | 12    | 14 | 12 | 16 | 12    | 14 | 12 | 14 | 12                    | 14 |       |
| 14        | 700                        |              | 1620             | -  | -  | 12 | 14 | 12    | 14 | 12 | 14 | 12    | 14 | 12 | 14 | 12                    | 14 |       |
| 16        | 800                        |              | 1830             | -  | -  | 12 | 12 | 12    | 12 | 12 | 12 | 12    | 12 | 12 | 12 | 12                    | 12 |       |
| 18        | 800                        |              | 2050             | -  | -  | 12 | 12 | 12    | 12 | 12 | 12 | 12    | 12 | 12 | 12 | 12                    | 12 |       |
| 20        | 900                        |              | 2260             | -  | -  | 18 | 12 | 18    | 12 | 18 | 12 | 18    | 12 | 18 | 16 | 18                    | 12 |       |

The load ratings represent average values obtained in accordance with accepted methods and are subject to normal manufacturing variations  
- Dimensions and ratings are subject to change without notice -

**For Use On:** Steam - Chilled Water - Domestic Cold - Domestic Hot - Hot Water Heating

### Design Features

Compact - Easy Installation - Minimizes Heat-loss and/or Condensation

**Contact Information: 425-330-3765 Fax 360-925-3400 www.thermalpipeshields.com**