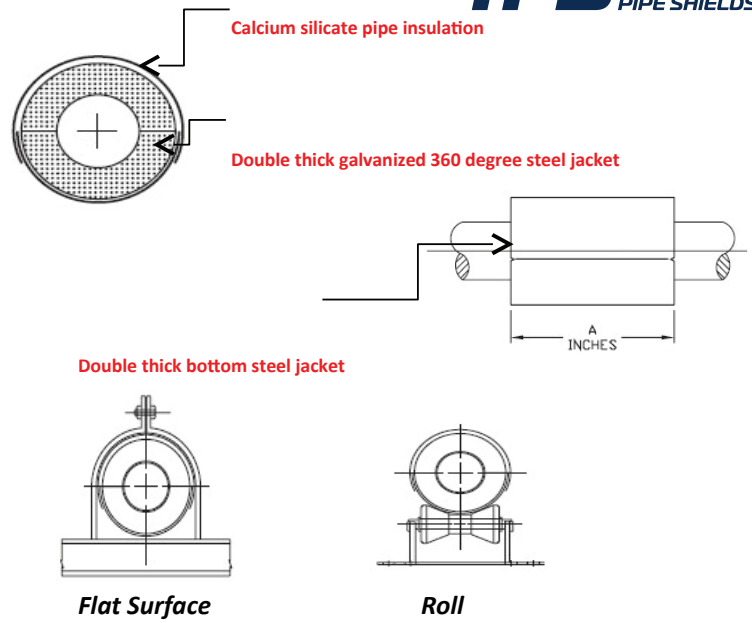


# Product Data Sheet

# T-3000 CALSIL HEAVY DUTY DOUBLE THICK BOTTOM STEEL JACKET



Design Data	
<b>Temperature Range:</b>	+40 F to +1200 F
<b>Insulation:</b>	Calcium Silicate 100+ PSI ASTM C-553 Type I
<b>Jackets:</b>	G90 Galvanized Steel ASTM A-527
<b>Glue:</b>	3M Fastbond 49 (water based adhesive)
<b>Load Rating:</b>	To develop maximum load rating, width of support surface should be as least 1/2 of dimension "A".  For higher load ratings, see T-5000  <b>R Value per 1" thickness = 2.5</b> <b>K Factor @ 75 F = .38</b>



Intended for installation on flat surfaces or clevis pipe hangers

**\*25/50 Rated Flame/Smoke Plenum Rated**

Buy American Act Certified

Pipe Size	Maximum Load Ratings (lbs)			A = Insulation Length      B = Gauge of Load Steel												Copper Tubing Size OD
	On Flat Surface	On Pipe Roll	In Clevis Hangar	1/2		1		1 1/2		2		2 1/2		3		
				A	B	A	B	A	B	A	B	A	B	A	B	
5/8	60	40	70	4	20	4	20	4	20	6	20	6	20	6	20	5/8
1/2	60	40	70	4	20	4	20	4	20	6	20	6	20	6	20	7/8
3/4	70	50	80	4	20	4	20	4	20	6	20	6	20	6	20	1 1/8
1	80	65	100	4	20	4	20	4	20	6	20	6	20	6	20	1 3/8
1 1/4	100	80	130	4	20	4	20	4	20	6	20	6	20	6	20	1 5/8
1 1/2	130	110	150	4	20	4	20	4	20	6	20	6	20	6	20	2 1/8
2	180	140	200	6	20	6	20	6	20	6	20	6	20	6	20	2 5/8
2 1/2	200	170	240	6	18	6	18	6	18	6	18	6	18	6	18	3 1/8
3	250	200	300	6	18	6	18	6	18	6	18	6	18	6	18	3 5/8
3 1/2	300	250	350	6	18	6	18	6	18	6	18	6	18	6	18	4 1/8
4	400	300	410	6	18	6	18	6	18	6	18	6	18	6	18	5 1/8
5	500	450	520	-	-	6	18	6	18	6	18	6	18	6	18	6 1/8
6	550	500	620	-	-	6	16	6	16	6	16	6	16	6	16	
8	600	600	870	-	-	9	16	9	16	9	16	9	16	9	16	
10	600		1190	-	-	9	16	9	16	9	16	9	16	9	16	
12	700		1400	-	-	9	16	9	16	9	16	9	16	9	16	
14	700	See	1620	-	-	12	16	12	16	12	16	12	16	12	16	
16	800	T-5000	1830	-	-	12	16	12	16	12	16	12	16	12	16	
18	800		2050	-	-	12	14	12	14	12	14	12	14	12	14	
20	900		2260	-	-	12	14	12	14	12	14	12	14	12	14	

The load ratings represent average values obtained in accordance with accepted methods and are subject to normal manufacturing variations  
- Dimensions and ratings are subject to change without notice -

**For Use On:** Steam - Chilled Water - Domestic Cold - Domestic Hot - Hot Water Heating

**Design Features**  
Compact - Easy Installation - Minimizes Heat-loss and/or Condensation

**Contact Information:** 425-330-3765 Fax 360-925-3400 [www.thermalpipeshields.com](http://www.thermalpipeshields.com)



## FULL BOX QUANTITIES

### T-3000 Calsil

PIPE SIZE	WALL 1/2"	WALL 1"	WALL 1 1/2"	WALL 2"
5/8"	40	48	27	10
1/2"	36	42	21	27
3/4"	30	42	21	27
1"	66	30	15	18
1 1/4"	48	30	36	18
1 1/2"	36	21	36	15
2 1/8"	36	21	36	15
2"	27	18	28	15
2 5/8"	27	18	28	15
2 1/2"	14	27	15	12
3 1/8"	14	27	15	12
3"	10	18	15	12
4 1/8"	27	15	12	12
4"	18	15	12	12
5"	15	12	6	6
6 1/8"	12	6	6	6
6"	12	6	6	6
8"	6	6	6	6
10"	6	4	4	2
12"	6	4	2	2