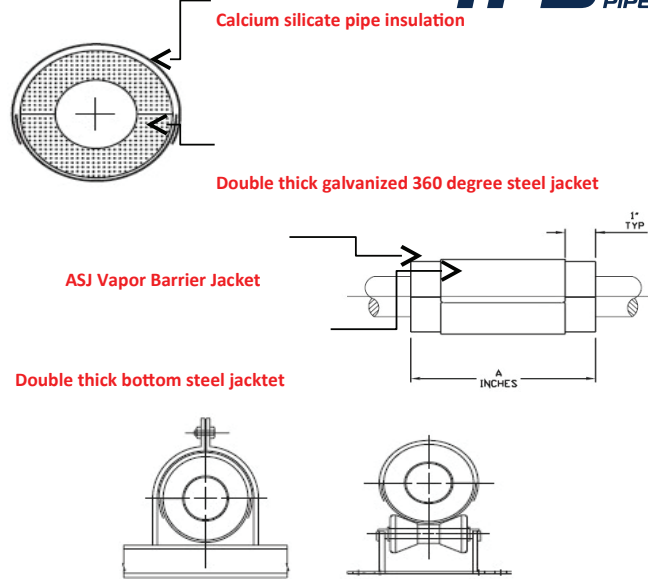


Product Data Sheet

T-4000 CALSIL HEAVY DUTY DOUBLE THICK BOTTOM STEEL w/ ASJ VAPOR BARRIER



Design Data	
Temperature Range:	+40 F to +1200 F
Insulation:	Calcium Silicate 100+ PSI ATSM C-553 Type I
Vapor Barrier:	ASJ ASTM C1136
Jackets:	G90 Galvanized Steel ASTM A-527
Glue:	3M Fastbond 49 (water based adhesive)
Load Rating:	To develop maximum load rating, width of support surface should be as least 1/2 of dimension "A". For higher load ratings, see T-6000
R Value per 1" thickness = 2.5	
K Factor @ 75 F = .38	



Intended for installation on flat surfaces or clevis pipe hangers

***25/50 Rated Flame/Smoke Plenum Rated**

Buy American Act Certified

Pipe Size	Maximum Load Ratings (lbs)			A = Insulation Length B = Gauge of Load Steel												Copper Tubing Size OD
	On Flat Surface	On Pipe Roll	In Clevis Hangar	1/2		1		1 1/2		2		2 1/2		3		
				A	B	A	B	A	B	A	B	A	B	A	B	
5/8	60	40	70	6	20	6	20	6	20	6	20	6	20	6	20	5/8
1/2	60	40	70	6	20	6	20	6	20	6	20	6	20	6	20	7/8
3/4	70	50	80	6	20	6	20	6	20	6	20	6	20	6	20	1 1/8
1	80	65	100	6	20	6	20	6	20	6	20	6	20	6	20	1 3/8
1 1/4	100	80	130	6	20	6	20	6	20	6	20	6	20	6	20	1 5/8
1 1/2	130	110	150	6	20	6	20	6	20	6	20	6	20	6	20	2 1/8
2	180	140	200	6	20	6	20	6	20	6	20	6	20	6	20	2 5/8
2 1/2	200	170	240	6	18	6	18	6	18	6	18	6	18	6	18	3 1/8
3	250	200	300	6	18	6	18	6	18	6	18	6	18	6	18	3 5/8
3 1/2	300	250	350	6	18	6	18	6	18	6	18	6	18	6	18	4 1/8
4	400	300	410	6	18	6	18	6	18	6	18	6	18	6	18	5 1/8
5	500	500	520	-	-	6	18	6	18	6	18	6	18	6	18	6 1/8
6	550	550	620	-	-	6	16	6	16	6	16	6	16	6	16	
8	600	600	870	-	-	9	16	9	16	9	16	9	16	9	16	
10	600		1190	-	-	9	16	9	16	9	16	9	16	9	16	
12	700	See	1400	-	-	9	16	9	16	9	16	9	16	9	16	
14	700	T-6000	1620	-	-	12	16	12	16	12	16	12	16	12	16	
16	800		1830	-	-	12	12	12	12	12	12	12	12	12	12	
18	800		2050	-	-	12	14	12	14	12	14	12	14	12	14	
20	900		2260	-	-	12	14	12	14	12	14	12	14	12	14	

The load ratings represent average values obtained in accordance with accepted methods and are subject to normal manufacturing variations
- Dimensions and ratings are subject to change without notice -

For Use On: Steam - Chilled Water - Domestic Cold - Domestic Hot - Hot Water Heating

Design Features

Compact - Easy Installation - Minimizes Heat-loss and/or Condensation

Contact Information: 425-330-3765 Fax 360-925-3400 www.thermalpipeshields.com



FULL BOX QUANTITIES T-4000 Calsil w/ ASJ

PIPE SIZE	WALL 1/2"	WALL 1"	WALL 1 1/2"	WALL 2"
5/8"	32	32	18	10
1/2"	22	28	14	27
3/4"	18	28	14	27
1"	40	20	10	21
1 1/4"	28	20	27	21
1 1/2"	28	14	27	21
2 1/8"	28	14	27	12
2"	20	12	21	15
2 5/8"	20	12	21	15
2 1/2"	14	27	15	12
3 1/8"	14	27	15	12
3"	10	18	15	12
4 1/8"	27	15	12	6
4"	18	15	12	6
5"	10	12	6	6
6 1/8"	8	6	6	6
6"	8	6	6	6
8"	4	4	4	4
10"	X	4	4	2
12"	X	4	2	2