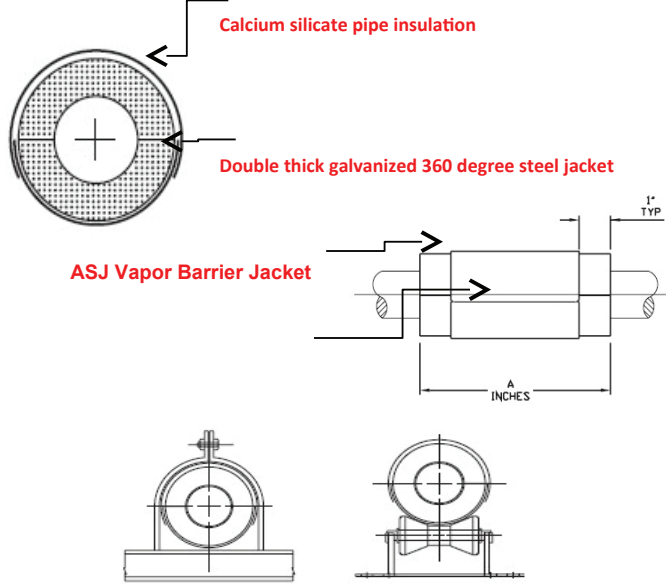


Product Data Sheet

T-4000 FOAM HEAVY DUTY DOUBLE THICK BOTTOM STEEL w/ ASJ VAPOR BARRIER



Design Data	
Temperature Range: Zero to 200 F	
Insulation: Phenolic Foam-ASTM C-1126 Type III	
.5" to 2.5" = 35 PSI- At Load Point	
3" to 6" = 80 PSI- At Load Point	
8" to 12" = 120 PSI- At Load Point	
Vapor Barrier: ASJ ASTM C1136	
Jackets: G90 Galvanized Steel ASTM A-527	
Glue: 3M Fastbond 49 (water based adhesive)	
For higher load ratings, see T-6000	
R Value per 1" thickness = 6.0	
K Factor @ 75 F = .15	



Flat Surface

Roll

Intended for installation on flat surfaces or clevis pipe hangers

***25/50 Rated Flame/Smoke Plenum Rated**

Buy American Act Certified

Pipe Size	Maximum Load Ratings (lbs)			A = Insulation Length				B = Gauge of Load Steel				Copper Tubing Size OD				
	On Flat Surface	On Pipe Roll	In Clevis Hangar	1/2		1		1 1/2		2			2 1/2		3	
				A	B	A	B	A	B	A	B		A	B	A	B
5/8	60	40	70	6	20	6	20	6	20	6	20	6	20	6	20	5/8
1/2	60	40	70	6	20	6	20	6	20	6	20	6	20	6	20	7/8
3/4	70	50	80	6	20	6	20	6	20	6	20	6	20	6	20	1 1/8
1	80	65	100	6	20	6	20	6	20	6	20	6	20	6	20	1 3/8
1 1/4	100	80	130	6	20	6	20	6	20	6	20	6	20	6	20	1 5/8
1 1/2	130	110	150	6	20	6	20	6	20	6	20	6	20	6	20	2 1/8
2	180	140	200	6	18	6	18	6	18	6	18	6	18	6	18	2 5/8
2 1/2	200	170	240	6	18	6	18	6	18	6	18	6	18	6	18	3 1/8
3	300	300	300	6	18	6	18	6	18	6	18	6	18	6	18	3 5/8
3 1/2	300	300	350	6	18	6	18	6	18	6	18	6	18	6	18	4 1/8
4	400	400	500	6	16	6	16	6	16	6	16	6	16	6	16	5 1/8
5	500	500	600	-	-	6	16	6	16	6	16	6	16	6	16	6 1/8
6	600	600	700	-	-	6	16	6	16	6	16	6	16	6	16	
8	700	See	900			9	16	9	16	9	16	9	16	9	16	
10	800	T-6000	1000			9	16	9	16	9	16	9	16	9	16	
12	900		1200			9	16	9	16	9	16	9	16	9	16	

The load ratings represent average values obtained in accordance with accepted methods and are subject to normal manufacturing variations
- Dimensions and ratings are subject to change without notice -

For Use On: Chilled Water - Domestic Cold - Domestic Hot - Hot Water Heating

Design Features

Compact - Easy Installation - Minimizes Heat-loss and/or Condensation

Contact Information: 425-330-3765 Fax 360-925-3400 www.thermalpipeshields.com



FULL BOX QUANTITIES

T-4000 Phenolic with ASJ

PIPE SIZE	WALL 1/2"	WALL 1"	WALL 1 1/2"	WALL 2"
5/8"	32	32	18	10
1/2"	22	28	18	27
3/4"	18	28	18	27
1"	40	20	10	21
1 1/4"	28	20	27	21
1 1/2"	28	14	27	12
2 1/8"	28	14	27	15
2"	20	12	21	15
2 5/8"	20	12	21	15
2 1/2"	14	27	15	12
3 1/8"	14	27	15	12
3"	10	18	15	12
4 1/8"	27	15	12	6
4"	18	15	12	6
5"	10	12	6	6
6 1/8"	8	6	6	6
6"	8	6	6	6
8"	4	4	4	4
10"	4	4	4	2